

Design created to be matched with living space



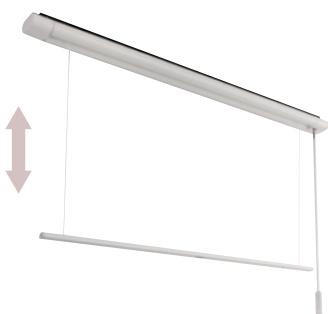
Capacity
load weight

8
Kg

01

In Use

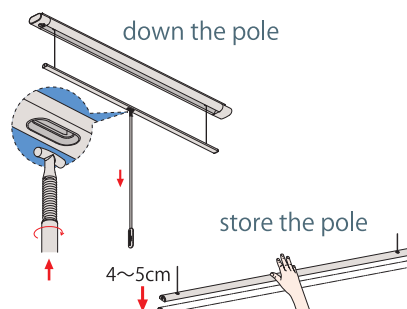
Design matched with living space,
mounting onto the ceiling and
pole height is adjustable at your desired position.



02

Operation

One touch adjusting of pole up and down,
easy to lock and unlock the height.



03

Store position

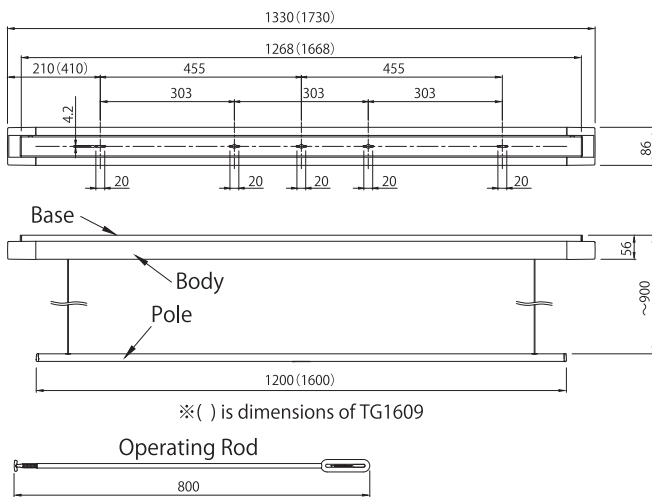
Neat appearance at storing position
when not in use.



Up and Down Indoor Drying Rack TG1209/TG1609

Mounting onto the ceiling,
just pull down the pole in use.

Parts dimensions

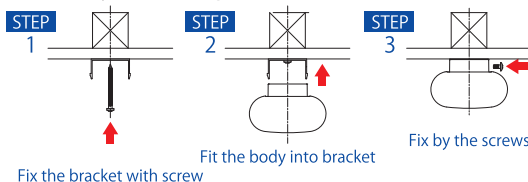


Part Included

Name	Qty	Name	Qty	Name	Qty	Name	Qty
Body	1	Mounting Screw	4	Operating Rod	1	Mounting Screw for Operating Rod Hook	1
Base	1	Fixing Screw	4	Operating Rod Hook	1		

Installation Manual

Body and base are separated structure to be easy mounting.



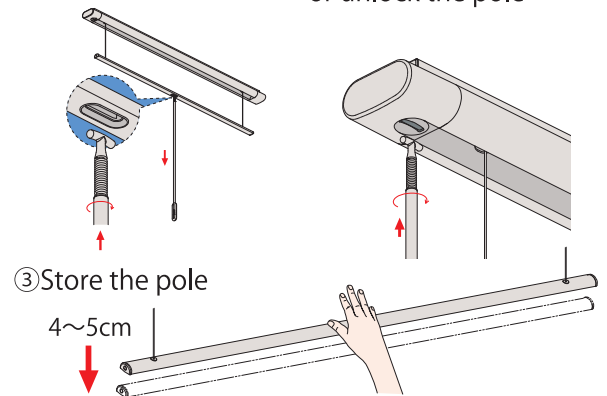
Easy Installation



※ mounting screws (4pcs for 1 set) with $\phi 4$ screw top diameter are including in a package.

How to use

- ① Pull down the pole
- ② Lock the pole at desired position, or unlock the pole



Basic Specifications

Product name: Up and Down Indoor Drying Rack

Usage: Indoor use laundry drying hanger

Item No.: TG1209/TG1609

Color: White (Base: Black)

Total weight: 3100g/3800g

Materials: Aluminum, Stainless, Steel, ABS, POM, PA6 etc.

Country of Origin: China, Japan (finished in Japan)

Quality Assurance

Product has inspected in several ways to assure satisfactory in quality



Our activities for product's safety

We create our installation guides based on "Product Safety Information Indication System". Please access our website for further details.



TAKARA INDUSTRY CO., LTD.
タカラ産業株式会社

2-2-30 Nagata Eminence Bld. 2F,
Nagata Naka, Higashi Osaka-City, Osaka,
577-0013, Japan
TEL: +81-6-7711-3080
<https://www.takaranet.co.jp/eng/>