

Installation Manual for Constructor

Appreciate for choosing our product "Metal Laundry Pole Holder for Window Wall".

Please read this manual before installation. Please give this manual to the user after installation.

⚠ WARNING This symbol indicates that minor injury or damage to property is possible.

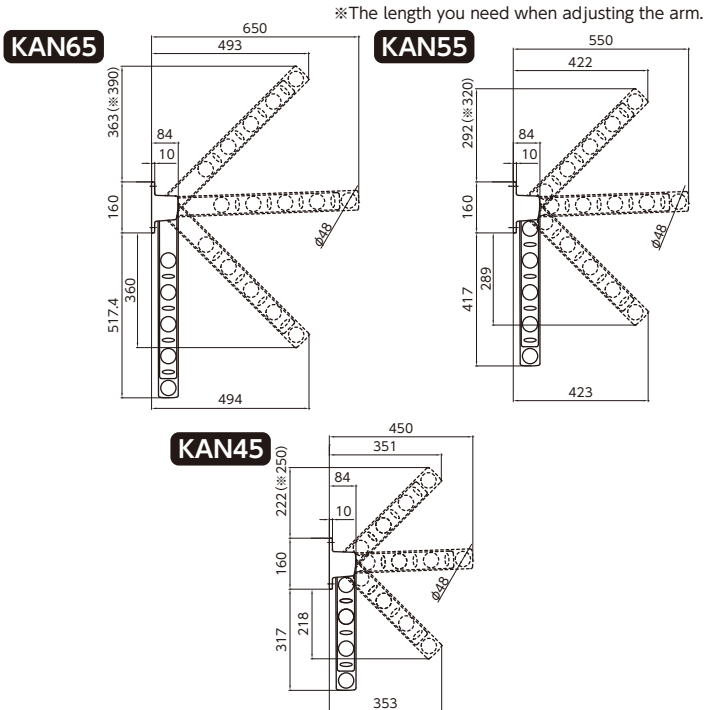
- Use exclusively for drying clothes.
- Do not install this product on the outside of handrails.
- Do not install this product around the exit areas or any fire defense equipment.
- Be careful not to drop the parts and tools when installing the product from at height level.

Approx. Weight 30kg (per set)

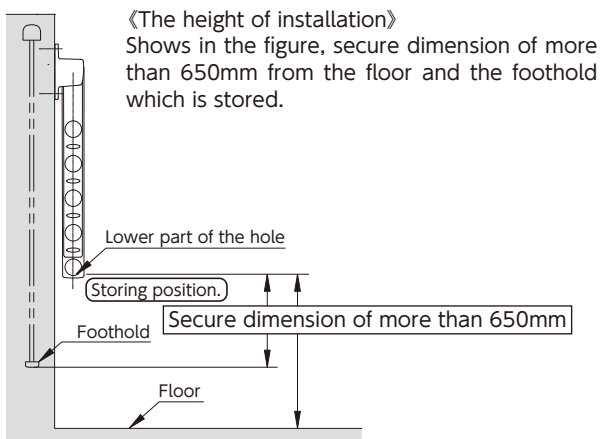
⚠ NOTE This symbol indicates that minor injury or damage to property is possible.

- Determine the point to install after proper discussion with the customer.
- Grasp inside structure of the building and condition of the wall perfectly, install by fastener capable of holding strength.
- The inundation to the fastener part which was installed is assumed.
When you made holes on the exterior wall when installation, fill the hole with a waterproof sealing agent to prevent from the inundation.
- The adhesion of dust and dirt influences the movement and sound of upward and downward operation.
- Make sure to adjust tightening torque when electric drills are used. Using impact drills is strictly prohibited.

Mounting Dimension



Public Housing Installation Standard

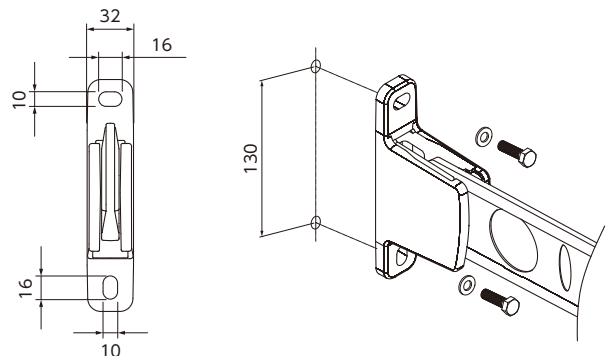


■ PARTS

| Name | Diagram | The number | Specification-Material |
|-------------------------------|---------|------------|---|
| Body | | 2 | Aluminum die-casting Polypropylene resin |
| Manual for User and Condition | | 1 | |

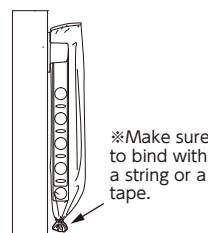
■ Installation

- Install with the fastener which is adapted to the exterior of the building as following the manual.
- Fasteners by type of the exterior walls are also available.



■ Construction Cover

Please keep the packing bag over the items to keep in good condition until usage.



■ Fitting Parts

For Concrete Wall — Model No. DRY-06-05-
Anchors for M8 (4 pc.) Washers for M8 (4 pc.)
Hexagon bolts M8X25 (4 pc.)

For Wooden Wall
Model No. DRY-06-14 Hexagon Coach Screws
φ8×90 (4pc.) Washers φ8 (4pc.)
Model No. DRY-06-02 Hexagon Coach Screws
φ6×75 (4pc.) Washers φ6 (4pc.)

For Support Beams 50 (Transfixion)
Model number: DRY-06-06
Hexagon bolts M8×80 (4pc.) Hexagon nuts for M8 (4pc.)
Washers for M8 (8pc.) Spring washers for M8 (4pc.)

For Support beams 70 (Transfixion)
Model number: DRY-06-07
Hexagon bolts M8×100 (4pc.) Hexagon nuts for M8 (4pc.)
Washers for M8 (8pc.) Spring washers for M8 (4pc.)

Manual for User

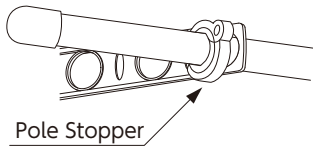
Appreciate for purchasing our product "Metal Laundry Pole Holder for Window Wall".

After reading the manual, keep it in an easily accessible place for future reference.

WARNING

This symbol indicates a potentially hazardous situation which is likely to cause death or severe personal injury if the instructions under this heading are not followed correctly.

- Use exclusively for drying clothes.
- Do not hang on the laundry pole. Make sure that children do not play with it.
- To prevent laundry poles falling, please use pole stopper at both ends of the laundry poles.



Approx. Weight 30kg (per set)

NOTE

This symbol indicates that minor injury or damage to property is possible.

- Please avoid using laundry rope, as this may damage the product. Please use laundry pole.
- Hanging out any heavy loads except the washing may cause trouble and damage.
- Before operating this product, make sure to read this operation manual to ensure full understanding of this product. When operating in a wrong way, may cause trouble and damage.
- Please avoid using at the time of strong wind.

The following symbol is displayed in this user manual.

⚠ May result in personal damage or property damage

🚫 Prohibited acts ⚠ Essential acts

- When transferring it to third parties, please transfer this manual together.
- For inquiry, contact us or our agent that you purchased it from.

User Guide

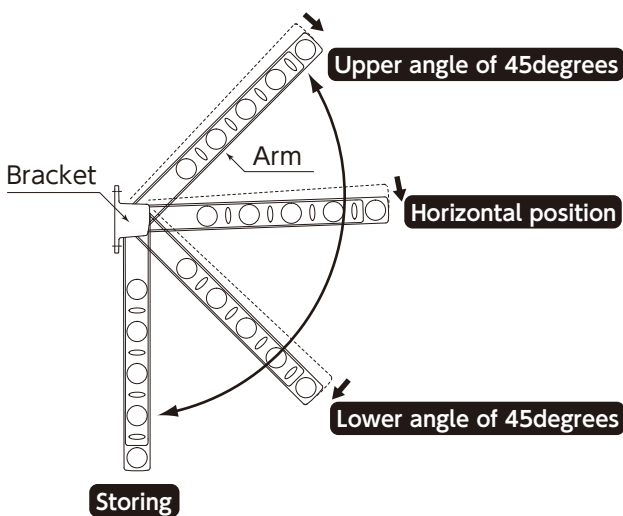
The arms are flexible and changeable into 3 directions.

■ Positioning the arm from the stored position.

Push the base of the arm and swing it upwards, Raise the arm above the level where you want to position it and push the arm in towards the bracket.

■ Storing the arm

Push the base of the arm straight up, remove the catch and lower the arm to the storage position.



The maker



TAKARA INDUSTRY CO.,LTD.
タカラ産業株式会社

Maintenance

■ Dally Care

- Light dirt
Clean with a wet dust cloth or a sponge and then dried off with a dry cloth.
- Heavy dirt
Clean with diluted neutral detergent and clean if off with water properly not to remain detergent. Dried off with a dry cloth.

■ Important

- To prevent from damage, please avoid using a metal brush, metal spatula, steel wool sponge roughly-woven paper and sandpaper.
- Make sure that the neutral detergent is diluted. Never use any acid, alkalis and chlorine-containing chemicals which cause corrosion and peeling off the paint.
- ※ When using the neutral detergent, rinse if off completely. Leaving it as remaining detergent cause corrosion.

■ Frequency of maintenance by area.

| Location conditions | Frequency |
|-----------------------------|-----------------|
| Littoral industrial area. | 3times/per year |
| Coast area·Industrial area. | 3times/per year |
| Urban area | 2times/per year |
| Countryside. | 1times/per year |

《Note》After passing through the typhoon, wash off with water because the product might be exposed to wind and rain contained salt by a typhoon.

2-2-30 Nagata Eminence Bld. 2F,
Nagata Naka,Higashi Osaka-City,Osaka,
577-0013, Japan
TEL: +81-6-7711-3080

<http://www.takaranet.co.jp/eng/>