

# DRY·WAVE

ドライ・ウェーブ

# Up and Down Aluminum Drying Rack

## TM1412

Capacity Load Weight : **8kg**



- This product is intended for enclosed terraces, enclosed glass terraces and other indoor use only.
- It is not intended to be used for any other purpose than hang drying laundry.

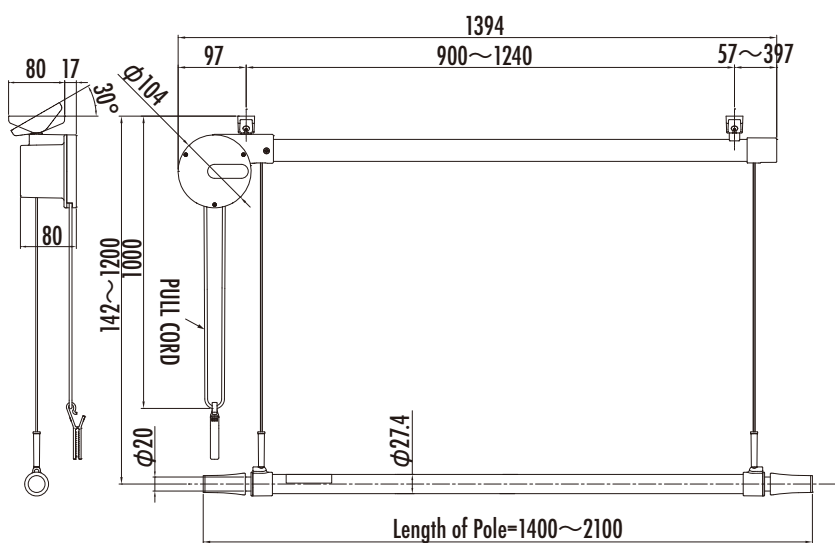
## Installation Guide

Thank you for purchasing our Up and Down Steel Drying Rack. This product is intended for hang drying laundry in an enclosed terrace, glass terrace or in any other indoor room by manually elevating and lowering a laundry drying pole that is mounted to the ceiling. Please read this guide carefully and exercise safety precautions when using this product. For any inquiries concerned with this product, please contact us or the retailer of the purchased item

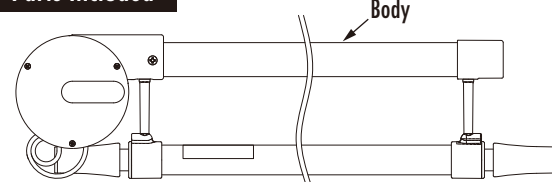
※To the installer.

Please hand this guide over to the end user after installation.

### ① Name of Each Part



### Parts Included



- 1×BIG BASE
- 1×SMALL BASE
- COUNTERSUNK SCREW M4×8×1
- 1×CAP
- 1×PULL CORD HOOK

Please double check if all the components are included. If there are any missing or damaged parts please contact us or the retailer of the purchased item.

### ② Safety Cautions

The following signs have been used in this Installation Guide    ⚠ Spread of damage is expected    ⊘ Prohibited Actions    ⚠ Necessary to perform

#### ⚠ Warning Can result in death or serious injury.

Icon	Important subjects	Harm/Damage
⊘	<ul style="list-style-type: none"> <li>● It is not intended to be used for any other purpose than hang drying laundry.</li> <li>● Do not install near combustion appliances. Keep away from combustion or heating appliances when hanging laundry.</li> </ul>	<ul style="list-style-type: none"> <li>● Can cause injury or damage to property.</li> <li>● Can cause fire hazards.</li> </ul>
⚠	<ul style="list-style-type: none"> <li>● Install in places where laundry will not block or obstruct fire alarms, heating and cooling duct outlets, or any other ventilation outlet.</li> <li>● For families with small children, be careful not to hang onto or bump into product.</li> </ul>	<ul style="list-style-type: none"> <li>● Can cause inadequate ventilation and fire hazards.</li> <li>● Can cause injury or damage to property.</li> </ul>

#### ⚠ Caution Can cause injury or damage to property.

Icon	Important subjects	Harm/Damage
⊘	<ul style="list-style-type: none"> <li>● Because this product is intended for enclosed terraces, enclosed glass terraces and other indoor use only, please do not use outdoors or in the bathroom.</li> <li>● Do not hang laundry that weighs over the 8kg capacity weight.</li> <li>● Do not use if the pull cord is jammed or stuck.</li> <li>● Do not play with or swing around the pull cord.</li> </ul>	<ul style="list-style-type: none"> <li>● Risk of damage to property.</li> <li>● Risk of damage to property.</li> <li>● Can cause injury or damage to property.</li> <li>● Can cause injury or damage to property.</li> </ul>
⚠	<ul style="list-style-type: none"> <li>● Stop using the product becomes unstable while using.</li> </ul>	<ul style="list-style-type: none"> <li>● Risk of damage to property.</li> </ul>

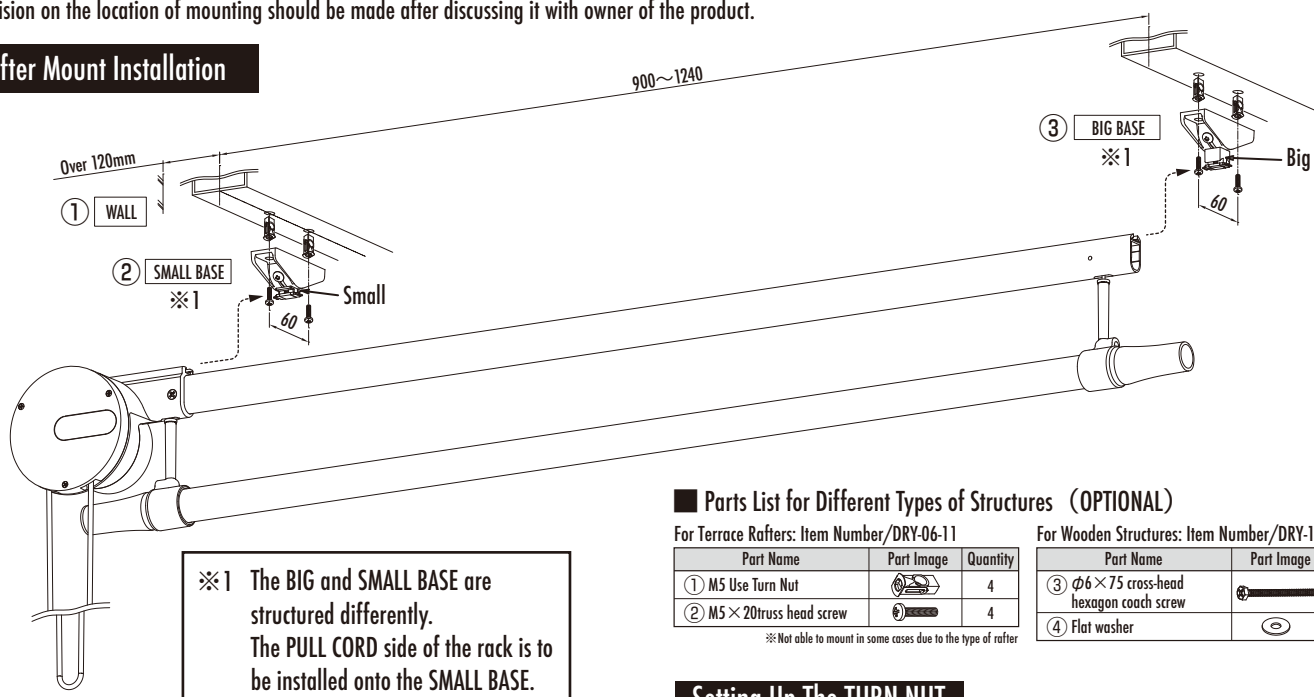
### ③ Mounting Instructions

**Caution** Can cause injury or damage to property.

Sign	Important Matter	Hazards • Damages
⊘	<ul style="list-style-type: none"> <li>● When using electric tools, make sure to make the proper torque adjustments. Refrain from using an Impact Drill.</li> <li>● When installing near a glass window, make sure that there is sufficient space so that the pole will not come in contact with the window. Furthermore, store away the pole during times of high winds.</li> </ul>	<ul style="list-style-type: none"> <li>● Risk of STEEL DRYING RACK falling or damaging of screws.</li> <li>● Can cause damage to property.</li> </ul>
	<ul style="list-style-type: none"> <li>● Make sure that the location where the base will be mounted is firm and strong.</li> </ul>	● Can cause damage to property.
!	<ul style="list-style-type: none"> <li>● Do not install in places where the ceiling has a slope of more than 30°.</li> </ul>	● Can cause damage to property.
	<ul style="list-style-type: none"> <li>● Locate the ceiling joist and use a screw that is most suiting.</li> </ul>	● Risk of STEEL DRYING RACK falling or damaging of screws.

※ Decision on the location of mounting should be made after discussing it with owner of the product.

#### Rafter Mount Installation



#### Parts List for Different Types of Structures (OPTIONAL)

For Terrace Rafters: Item Number/DRY-06-11

Part Name	Part Image	Quantity
① M5 Use Turn Nut		4
② M5×20truss head screw		4

※ Not able to mount in some cases due to the type of rafter

For Wooden Structures: Item Number/DRY-10-12

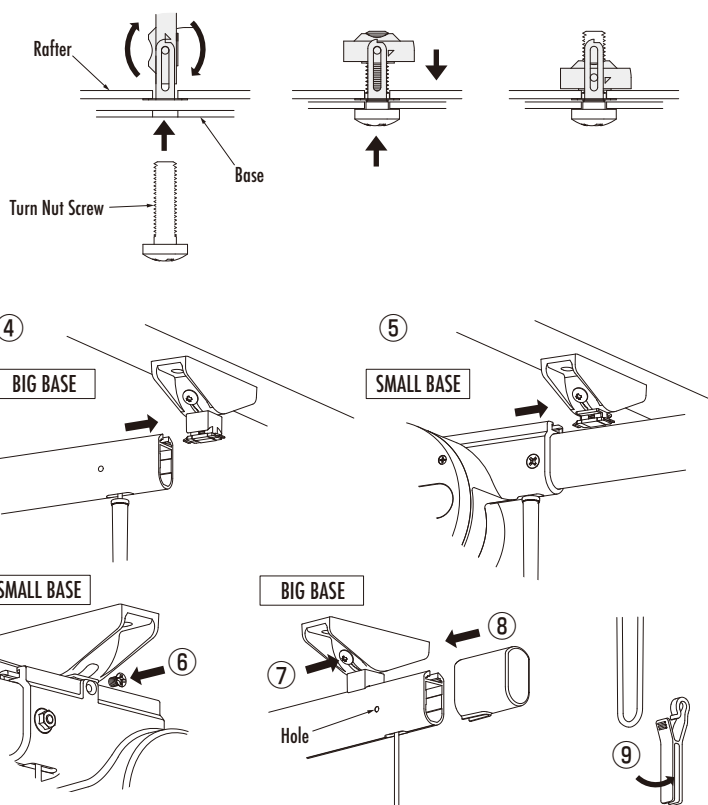
Part Name	Part Image	Quantity
③ $\phi 6 \times 75$ cross-head hexagon coach screw		4
④ Flat washer		4

#### Setting Up The TURN NUT

- ① Decide on where to mount. 120mm or more of space between the wall and the PULL CORD side of the rack is necessary in order for the rack to fit.



Since the PULL CORD is suspending, it is recommended to mount the PULL CORD side of the rack towards the wall so that it is not hindering.

- ② On the PULL CORD side of the rack, mount the SMALL BASE with a fastener (not included) (Use a fastener that is suitable for the ceiling joist.)
- ③ Open up 1,000-1,240mm of space from the SMALL BASE and mount the BIG BASE with a fastener (not included)
- ④ Slide through the tip of the BODY of the rack through the BIG BASE.
- ⑤ Slide the channel of the BODY through the SMALL BASE.
- ⑥ Align the SMALL BASE to the countersink hole, then secure the BASE of the PULL CORD to the BODY with the COUNTERSUNK SCREW included.
- ⑦ Set the BASE parallel to the surface, then secure the BIG and SMALL BASE with the ANGEL ADJUSTING SCREW.
- ⑧ Attach the CAP. Push on the cap until the channel of the BODY is covered.
- ⑨ Attach the PULL CORD HOOK onto the PULL CORD.
- ⑩ Check if the rack operates correctly.
  - Make sure that there is no rattle from loose screws.
  - Check operations by elevating and lowering the pole via the PULL CORD.



# 4 Operational Instructions

## **Caution** Can cause injury or damage to property.

Sign	Important Matter	Hazards • Damages
	● It is not intended to be used for any other purpose than hang drying laundry.	● Can cause damage to property.
	● Do not use during high winds.	● Can cause injury or damage to property.
	● Do not dismantle or remodel.	● Can cause the equipment to break or damage to property.
	● Do not pull on the cord itself or lower the pole in a slant position.	● Can cause the equipment to break or damage to property.
	● Do not forcefully lower the pole more than 1200mm from the ceiling.	● Can cause the equipment to break or damage to property.
	● Do not elevate and lower the pole more than 5 times consecutively.	● The hoist mechanism may heat up causing potential damage.
	● For families with small children, be careful not to hang onto or bump into product.	● Can cause injury or damage to property.
	● Do not hang laundry that exceeds the 8kg capacity weight.	● Can cause injury or damage to property.
	● Hanging laundry unevenly with more weight on one side than the other.	● Can cause damage to property.
	● Store away the pole when not in use or keep the extended part of the rack rolled up.	● Can cause injury.
	● Understand the different operating functions of elevating/lowering the pole and restoring it to its original position before operating.	● Can cause injury or damage to property.
	● Stop using if the cord gets tangled up, starts to wear-down or if any other complications arise.	● Can cause injury or damage to property.
	● If damage or deterioration of the rack is spotted, stop using at once.	● Can cause injury or damage to property.
● There is no lock function to the hoist so please be cautious when operating.	● Can cause injury or damage to property.	


### 1. To Lower the Pole

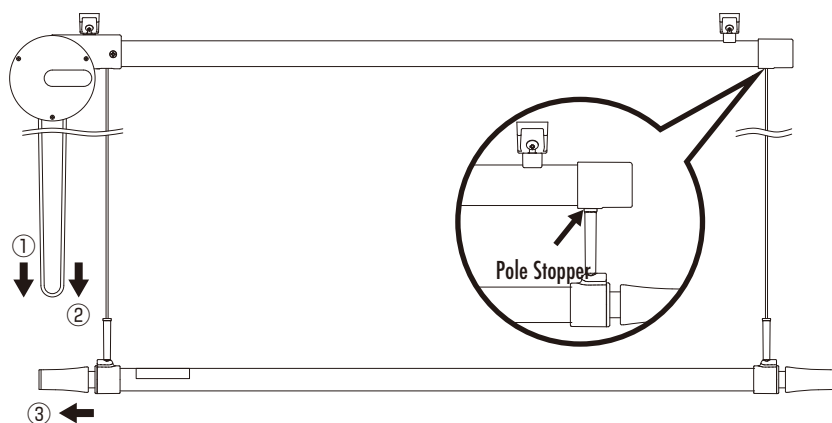
Pull downwards ① side of the PULL CORD.

 The pole will stop once it gets to the bottom. Do not pull the cord any further.

### 2. To Store Away the Pole

Pull downwards on ② side of the PULL CORD.

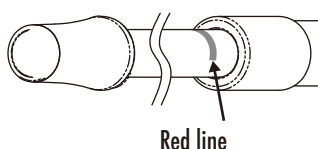
 The pole will hit the stopper at the very top near the body of the rack. Do not pull the cord any further. Can cause damage to the hoist function.



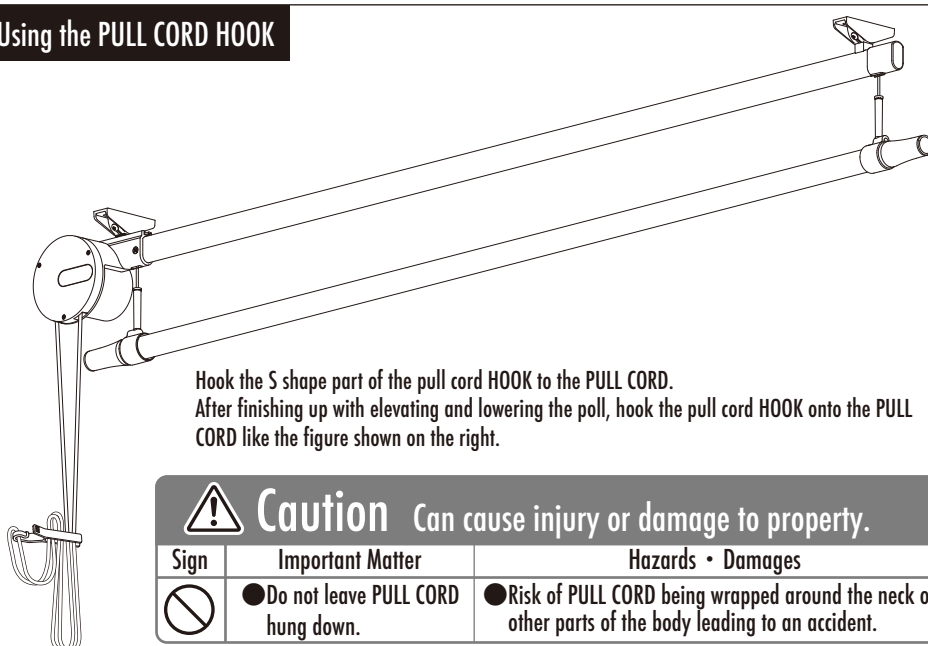
### 3. Adjust Length of Pole

③ Pull on both ends of the pole.

However, stop pulling once the red line appears.



### Using the PULL CORD HOOK



Hook the S shape part of the pull cord HOOK to the PULL CORD. After finishing up with elevating and lowering the poll, hook the pull cord HOOK onto the PULL CORD like the figure shown on the right.

## **Caution** Can cause injury or damage to property.

Sign	Important Matter	Hazards • Damages
	● Do not leave PULL CORD hung down.	● Risk of PULL CORD being wrapped around the neck or other parts of the body leading to an accident.

■ Things to be careful about when hanging laundry.



- Do not apply all the load weight on only one part of the pole.
- Do not hang over 8kg of laundry.
- Hang the laundry evenly across the pole.

■ Reference to how much laundry can be hung onto this product.

**For example, 1 day load of laundry for a family of 4.**

- Long Sleeve White Dress Shirt • Blouse **4** Pieces
- Short Sleeve Shirt • T Shirt **4** Pieces
- Socks (using a sock drying rack) **5** Pieces
- Bath Towel **2** Pieces
- Sweat Suits **2** Pieces

Total  
Est. **7.5kg**

## 5 Maintaining the Rack

**Caution** Can cause injury or damage to property.

Sign	Important Matter	Hazards • Damages
⊘	● Perform periodic check ups on whether the rack is stable or not.	● Can cause injury or damage to property.
	● When cleaning the rack, do not use thinners, benzine or alcohol, or any other type of glass cleaner that may contain organic solvents.	● Risk of causing the surface of the rack to dissolve, deform or distort in some way.
	● Do not use a hard brush or scrub brush.	● Can cause damage to equipment.

1. Wet and wring out a soft cloth to wipe off any dirty spots.
2. For stains and other spots that are hard to remove, use a soft loth with diluted neutral detergent to rub off.

**Do not use the following to maintain the rack.**

- ✗ Acid or Alkaline Cleaners (toilet detergents, household detergents, etc.)
- ✗ Bleach
- ✗ Thinners and other detergents which may include organic solvents
- ✗ Brushes and other hard scrubbers

Diluted Neutral Detergent

**Wipe Dry**  
Use a soft cloth to completely wipe down moist.

**Do not scrub hard.**

## 6 Thinking, Did It Breakdown?

- Q.**The BODY is unstable.
- A.**Stop operating and consult directly with the contractor.
- Q.**The pole doesn't elevate and lower smoothly.
- A.**Is the cord not tangled or worn-out? Please fix the tangle or ware-out.  
**A.**Is the laundry hung on the pole over the capacity weight? Please decrease the load of laundry hung on the pole.
- Q.**Is one end of the pole slanted lower than the other?
- A.**Is the laundry hung on the pole concentrated on one side of the pole? If so, please hang the laundry evenly along the pole.

## 7 Basic Specifications

<b>Product Name:</b> Up and Down Steel Drying Rack
<b>Purpose:</b> Enclosed Terrace Indoor Laundry Drying Rack
<b>Item Number:</b> TM1412
<b>Gross Weight:</b> 1,700g
<b>Material:</b> Aluminum, Stainless, Zinc, POM, ASA, PP etc.
<b>Country of Origin:</b> Japan



**TAKARA INDUSTRY CO.,LTD.**  
 タカラ産業株式会社

2-2-30 Nagata Eminence Bld. 2F,  
 Nagata Naka, Higashi Osaka-City, Osaka,  
 577-0013, Japan  
 TEL: +81-6-7711-3080  
<https://www.takaranet.co.jp/eng/>