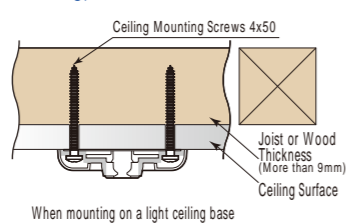
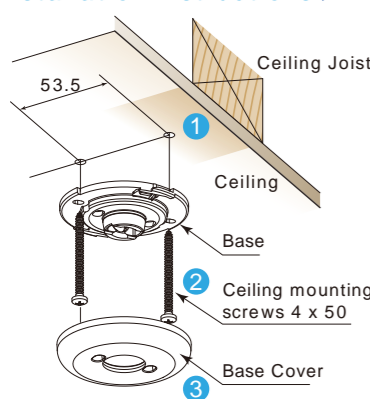


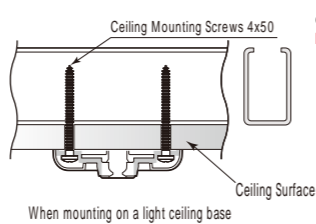
Base Installation Instructions

TAP6090/TAP30

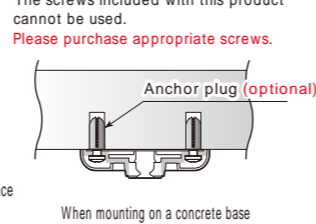
Installation instructions (ex. wood ceiling)



When mounting on a light ceiling base
The included mounting screws (4x50) can be used.



When mounting on a light ceiling base



When mounting on a concrete base

*The screws included with this product cannot be used.
Please purchase appropriate screws.

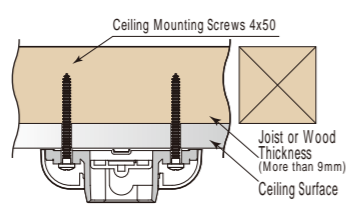
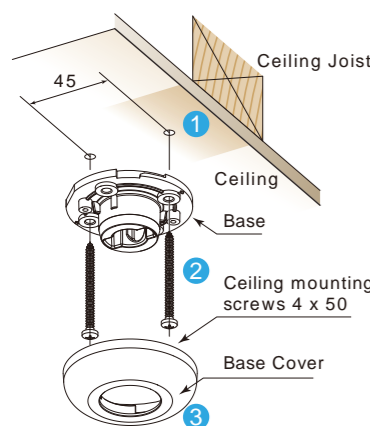
- 1 Please check the specifications of the ceiling.
- 2 Use a driver and use proper fastener to mount the base on your ceiling.
- 3 Once you have mounted the base firmly, put the base cover on.

Warning

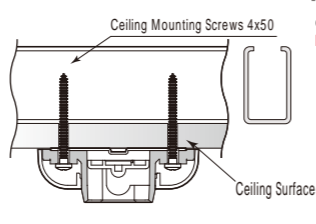
When your ceiling base is made with either light base or concrete, please consult a specialist. Please do not use electric power tools only. Be sure to stop before the end of the tightening of the screws and use a hand tool to screw tightly.

TA6090/TA4560

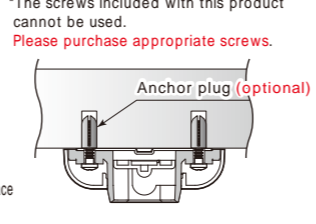
Installation instructions (ex. wood ceiling)



When mounting on a light ceiling base
The included mounting screws (4x50) can be used.



When mounting on a light ceiling base



When mounting on a concrete base

*The screws included with this product cannot be used.
Please purchase appropriate screws.

- 1 Please check the specifications of the ceiling.
- 2 Use a driver and use proper fastener to mount the base on your ceiling.
- 3 Once you have mounted the base firmly, put the base cover on.

Warning

When your ceiling base is made with either light base or concrete, please consult a specialist. Please do not use electric power tools only. Be sure to stop before the end of the tightening of the screws and use a hand tool to screw tightly.

Color

TAP6090
TA6090
TA4560
TAP30
White
Other color may be available. Please call our sales center.

Packing Specification

TAP6090 : Inner Case 1 pc./set, Outer Case 20set/box
TA6090 : Inner Case 1 pc./set, Outer Case 30set/box
TA4560 : Inner Case 1 pc./set, Outer Case 30set/box
TAP30 : Inner Case 1 pc./set

Caution

Please be sure to use a laundry pole. If you use a rope or a string, it may cause breakage or breakdown of the main base unit.
Weight tolerance for this base unit is up to 8kg. If you hang anything over the weight, it may cause breakage or breakdown of the main unit.
When using two base units, weight tolerance is up to 8kg including the laundry pole.
The height of the pole should be adjusted in an appropriate method. If not, it may cause breakage or breakdown of the main unit.

Estimated amount of washable items to dry

Example (4 member family)

- 2 sweatshirt,
- 2 bath towels,
- 5 pairs of socks (using small hanger),
- 4 sets of half sleeves shirts/T-shirts,
- 4 sets of long sleeve shirts or blouses



Total
Approx. 7.5kg

Weight of Laundry

(Please use this as reference.)

	Internal Research Damp Laundry Weight
Long Sleeve Shirt	Approx. 250g
Short Sleeve Shirt	Approx. 200g
T-Shirt (Cotton)	Approx. 200g
Towel (Cotton)	Approx. 150g
Bath Towel (Cotton)	Approx. 500g
Sweatshirt (Cotton)	Approx. 900g
Denim Pants (Cotton)	Approx. 1000g
Skirt	Approx. 600g
Kid's Skirt/Pants	Approx. 300g

Local Vendor

Manufactured By



TAKARA INDUSTRY CO., LTD.
タカラ産業株式会社

2-2-30 Nagata Eminence Bld. 2F,
Nagata Naka, Higashi Osaka-City, Osaka,
577-0013, Japan
TEL: +81-6-7711-3080
Mail: overseas@takaranet.co.jp
<http://www.takaranet.co.jp/eng/>

Product photo may appear slightly different from actual product due to photo and printing.
Please note that due to product improvements, specification changes may be made without prior notice.

1712.500_1 171129

The reason for its long popularity is due to its excellent functionality.

DRY·WAVE
ドライ・ウェーブ

TAP6090/TAP30
TA6090/TA4560

Room Laundry Pole



TAP6090

